



SWM

SPRAY WASHING MACHINE

Front loading single stage aqua spray washers for aqueous cleaning of small and medium sized components.

The spray washing machines provide excellent cleaning results thanks to a smart design used together with heat, high spray pressures and liquid flow rates achieved by the built in pump.

The spray system rotates around a fixed load giving a perfect cleaning result together with a very easy loading- and unloading system.

SWM

SPRAY WASHING MACHINE

	A	B	C
Size in mm (lxwxh)	2310 x 1630 x 2900	2710 x 2030 x 2900	3110 x 2430 x 2900
Max. washing height, mm:	900	900	900
Washing carriage diameter, mm	1150	1550	1950
Max. loading weight, kg	1500	1500	1500
Volume, litres:	1000	1700	2600
Heating efficiency, kW	18	27	36
Machine weight, kg	1000	1200	1400

STURDY AND LONG-LASTING

The Chris-Marine spray washing machines are available in a wide range of standard sizes from washing Ø 1 - 2 m and with a possible load of up to 1500 kg. They are available as very easy to use units onboard a vessel or in land based workshops. They are prepared in a robust Stainless Steel construction for very tough environments and long time use.

Standard equipment includes evacuation fan, automatic water refill, a rotating system of spray bars and an extractable washing carriage or transport trolley.

EXCELLENT CLEANING IN SHORT TIME

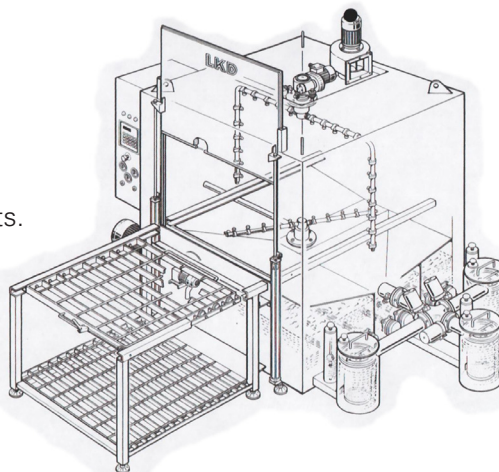
In the enclosed stainless steel cabinet, both mechanic and alkalic cleaning processes are used. Added together, the Alkaline detergent, high temperature and mechanical impact results in excellent cleaning in short time. Additional usage includes pre-heating of engine parts before welding, heat shrinking of valve seats etc.

STANDARD MACHINES INCLUDE

- Stainless steel construction
- Insulated tank and washing chamber
- Stainless steel cover plates
- Stainless steel washing carriage
- Stainless steel fixed loading platform
- Stainless steel spray bars and nozzles
- Full flow coarse filtration via round filter baskets.
- Standard evacuation fan
- Automatic water refill

OPTIONAL EQUIPMENT

- Transport trolley.
- Condensing fumes extraction fan
- Chemical dosing
- Automatic in and out transport of washing carriage.
- Oil separators
- Special rolling doors for workshop with limited space



SWEDEN

Chris-Marine AB
Stenyxegatan 3
PO Box 9025
SE-200 39 Malmö
Tel: +46 - 40 671 2600
Fax: +46 - 40 671 2699
info@chris-marine.com

DENMARK

IOP Marine A/S
Engager 7
DK-2605 Brøndby
Tel: +45 - 4498 3833
Fax: +45 - 4498 1125
contact@iopmarine.dk

SINGAPORE

Chris-Marine (S) Pte. Ltd.
46 Lokyang Way, Jurong
Singapore 628646
Tel: +65 - 6268 8611
Fax: +65 - 6264 3932
chrism@chris-marine.com.sg

P.R. OF CHINA

Chris-Marine Trading
(Shanghai) Co., Ltd.
Room 311, No.1 Building,
No.288 Wu Hua Road,
Shanghai 200086
Tel: +86 - 21 6575 9331
Fax: +86 - 21 6575 9552
info.cn@chris-marine.com

INDIA

Chris-Marine Rep Office India
House no.70, Cosmos Town
Trimurty Nagar, Ring Road
Nagpur-440022, Maharashtra
Tel: +91 - 712 224 6902
info.in@chris-marine.com

JAPAN

IOP & Chris-Marine Japan Office
Kobe Kokusai Kaikan 22 Fl.,
8-1-6 Goko-dori
Chuo-ku, Kobe, 651-0087
Tel: +81 - 78 570 5642
Fax: +81 - 78 570 5601
info.jp@chris-marine.com

ECUADOR

Amazonas 14-192 y pasaje 2,
San Rafael, Quito
Ecuador, South America.
Tel.no: +593 979 000 379
info.ec@chris-marine.com

BAHAMAS

Chris-Marine Service & Repair Office
Grand Bahama Shipyard, Freeport,
Grand Bahama Island
bahamas@chris-marine.com